

E-Power Pump By Emaux



With over 35 years of solid experience and expertise together with our devoted staffs, Emaux has evolved from a Swimming Pool and Spa Equipment manufacturer to a company that is focused in Water Technology. A company that provides solutions to clients in water related issues

Your solution in water technology



EMAUX[®]
Water Technology

www.emaux.com.au



E-Power High Performance Pump "EPH" Series

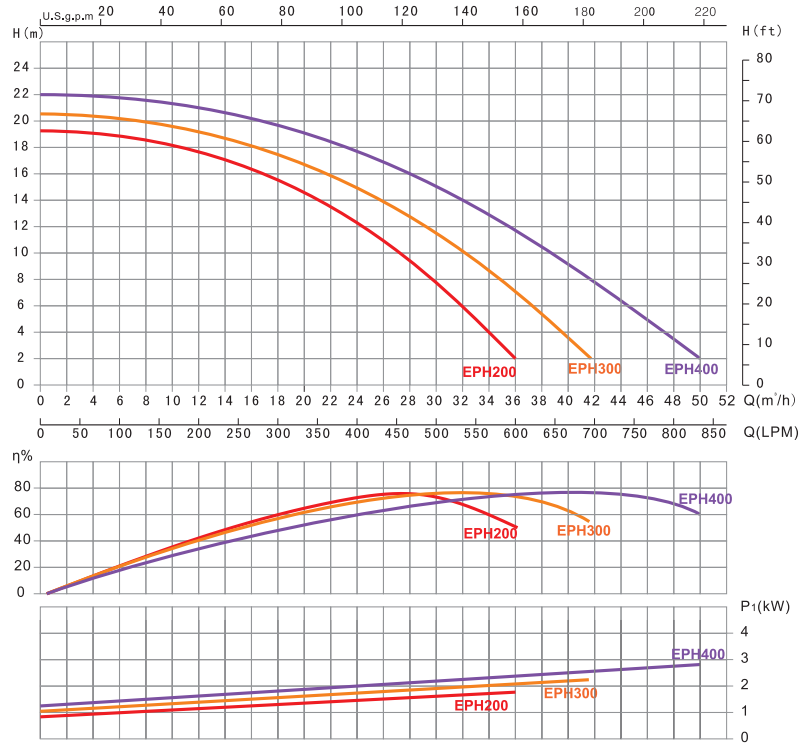
NEW

"EPH" series heavy duty pump delivers high flow and energy efficiency ultra performance. It is suitable for commercial swimming pool. 2" and 2.5" suction and discharge port with transparent lid. Ring lock seal design to eliminate suction leaks and to maximize suction efficiency.

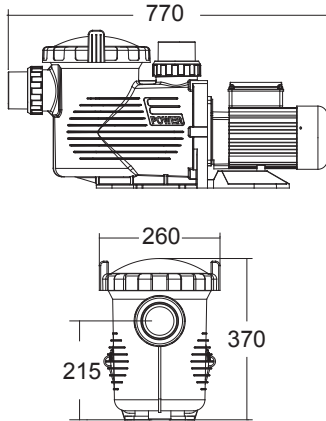
Highlight Features:

- Asynchronous, Two poles
- Class insulation: 130
- IPX5 Waterproof standard
- Built-in thermal protection
- Overload protection
- Available in 50Hz or 60Hz with 220V/380V
- Special design union compatible for both Imperial and Metric measurement standard
- S.S 316 shaft
- S.S 316 Mechanical seal

Technical Information



Remarks: Flow curve information based on 220V/50Hz motor.



Product Information & Dimension

Code 220V/50Hz	Code 220V/60Hz	Code 380V/50Hz	Model No	Connection Size	Input power	Horsepower	Weight(kg)
88020708	88021008	88020808	EPH200	2.0 inch 2.5 inch	1.80kW	2.0hp	23.00
88020709	88021009	88020809	EPH300	2.0 inch 2.5 inch	2.20kW	3.0hp	24.00
88020718	88021018	88020818	EPH400	2.0 inch 2.5 inch	2.80kW	4.0hp	25.00

Available from:



www.emaux.com.au

Waterpark & Aquarium / Competition Pool / Residential Pool / Commercial Pool / Water Treatment / Water Feature