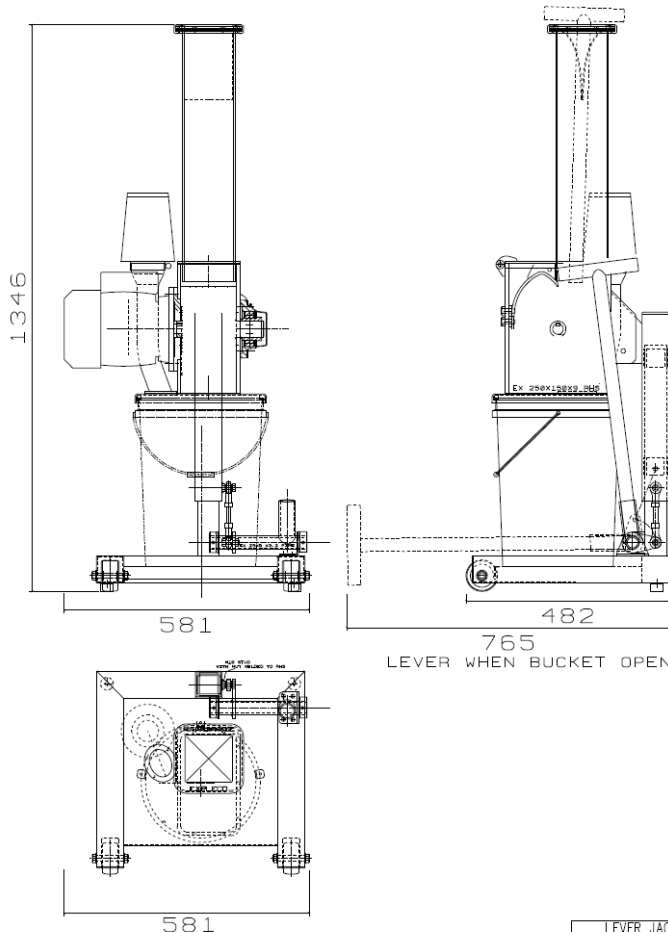




Dimension	Capacity	Consumable
53" high x 23" wide x 20" deep when lever is up 30" deep when lever is down	160 x Small Bottles or 60 x Large Bottles	Oppressor set - estimate 50,000 bottles Screen - estimate 20,000 bottles Bearing set - estimate 50,000 bottles Buckets - machine supplied with 1 bucket Filter wash - estimate 10,000 bottles Bearing Grease - estimate 2,000 bottles (Grease gun supplied with machine)

We are proud to announce the arrival of the company's first compact sand glass bottle crusher. Tested and in production the OPPRESSOR GLS is a specialty glass reduction machine designed with bars, cafes, restaurants, clubs hotels, resorts and holiday home owners in mind located in areas where recycling is either costly or does not exist.

The simplicity of the Oppressor GLS is an astounding feature. The operator simply ensures the bucket is not full and is inserted correctly, switches the machine on and feeds individual bottles through the rubber safety flap on the shoot. The precision cut oppressors each individually balanced take care of the rest, reducing glass bottles from their full state to a fine sand or grit in a matter of seconds.



LEVER JACK DETAIL	
OPPRESSOR GLS™	
for EXPLECO LIMITED	
Barnett Offshore Design Ltd	
Barnett Offshore Design Ltd	
Scale: 1:5 OR A2	Sheet: 01-01-09
Drawn by: T.J.P.E.	Checked by: T.J.P.E.
001	001

Copyright ©  
This drawing may not be copied or used for manufacturing  
without the written permission of Barnett Offshore  
Design Ltd. Failure to do so is deemed void and is considered  
an offence.