



Plastic Slim Filter Housings

Grace Plastic Slim Filter Housings are available in materials of clear reinforced polypropylene and opaque styrene acrylonitrile (SAN), providing economic choices for residential filtration and general water applications. All housings are accessible with mounting brackets and suitable for processes with limited installation space. The slim housings are designed with innovative double o-rings sealing, ensuring consistent filtration performance and enhanced safety during processes.

Applications

Household Water Filtration, Chemicals, Laboratory Facilities, Pre RO, Electronics, Food & Beverage

Specifications

Housing Material	Reinforced Polypropylene (blue), Styrene Acrylonitrile (clear)
Cap Material	Reinforced Polypropylene
O-ring	Buna-N

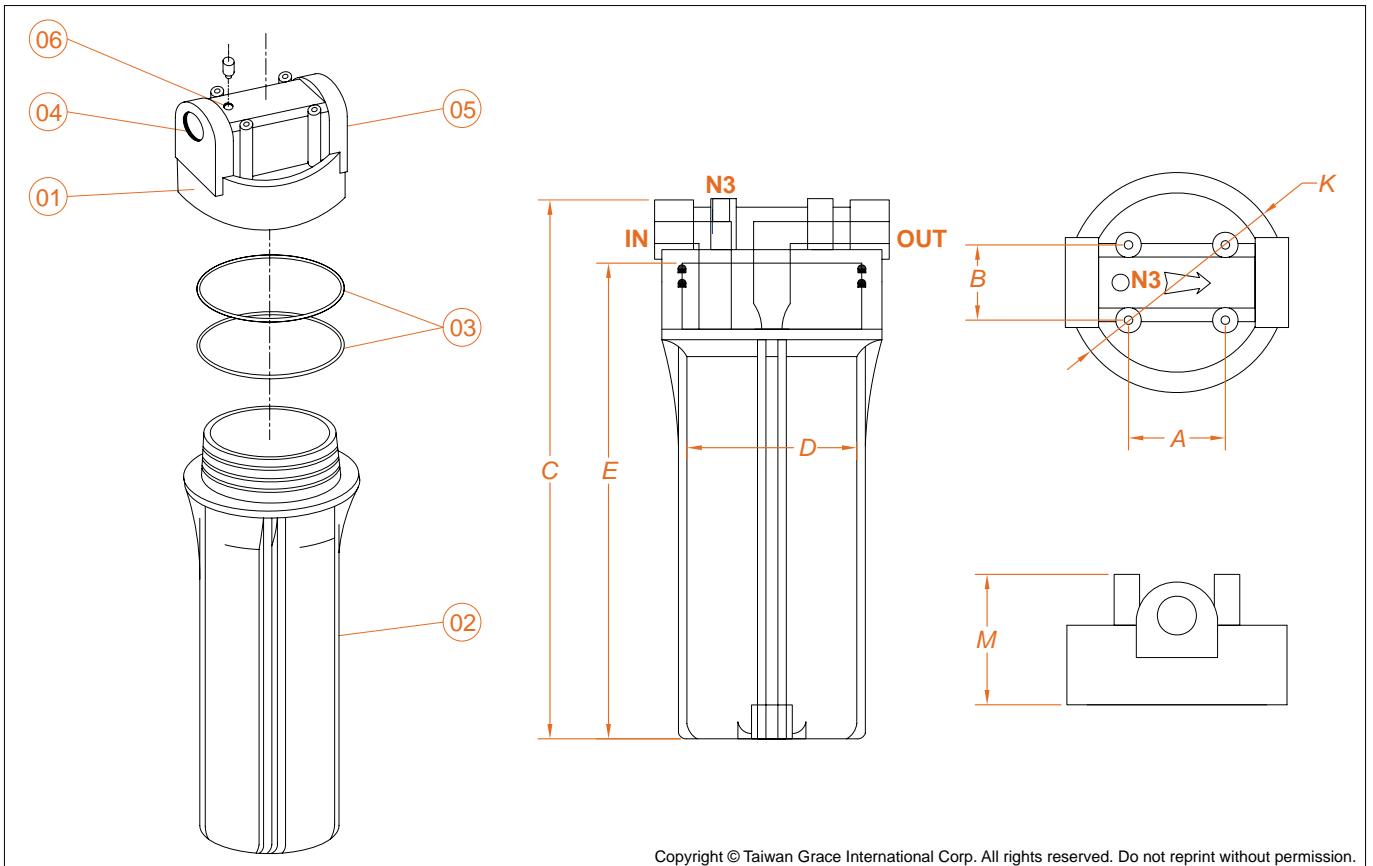
Operation Data

Maximum Operating Temperature : 60°C (140°F)
 Maximum Operating Pressure : 8.6 bar(125 psi)

Ordering Information

Type	Cartridge Length inch	Housing Color	Number of O-rings	Cap Color	Vent	Inlet/Outlet Porting (inch)	Inlet/Outlet Brass	O-ring Option	Series
PH Plastic Filter Housing	10 – 10" 20 – 20"	C -Clear B -Blue W -White	2 -Double O-rings	K -Black B -Blue W -White	V -Vent N -No Vent	N02 - 1/4"NPTF N03 - 3/8"NPTF N04 - 1/2"NPTF N06 - 3/4"NPTF	(blank) No Brass A -Port Brass	B -Buna-N	S -Slim
PH Plastic Filter Housing	10 10"	C Clear	2 Double O-ring	K Black	V Vent	N06 3/4" NPT	B Buna-N	S Slim	

Plastic Slim Filter Housings



Components

No.	Description	Qty
01	Cap	1
02	Filter Housing	1
03	O-ring	2
04	Port(Inlet)	1
05	Port(Outlet)	1
06	Vent	1

Dimensions

Model	A	B	C	ØD	E	ØK	M	Flow Rate	G. Weight
PH10 S	40	33	305	80	270	115	74	0 ~ 5 GPM / 0 ~ 1.1 m ³ /hr	0.96kg
PH20 S	40	33	582	80	540	115	83	0 ~ 10 GPM / 0 ~ 2.2 m ³ /hr	1.75kg

UNIT : mm

Customized housings are available on requests.

Actual flow rates will be determined on element selection and fluid viscosity.



Plastic Standard Filter Housings

Plastic Standard Filter Housings are available in materials of clear reinforced polypropylene and opaque styrene acrylonitrile (SAN), providing economic choices for residential, commercial and industrial applications. Clear housings provide great convenience of on-site examination, and opaque housings have excellent chemical resistance. The standard housings are able to accommodate filter cartridges with bigger diameter of 70mm, resulting in bigger flow capacity for various fluid processes.

Applications

Household Water Filtration, Chemicals, Laboratory Facilities, Pre RO, Electronics, Food & Beverage

Specifications

Housing Material	Reinforced Polypropylene (blue), Styrene Acrylonitrile (clear)
Cap Material	Reinforced Polypropylene
O-ring	Buna-N

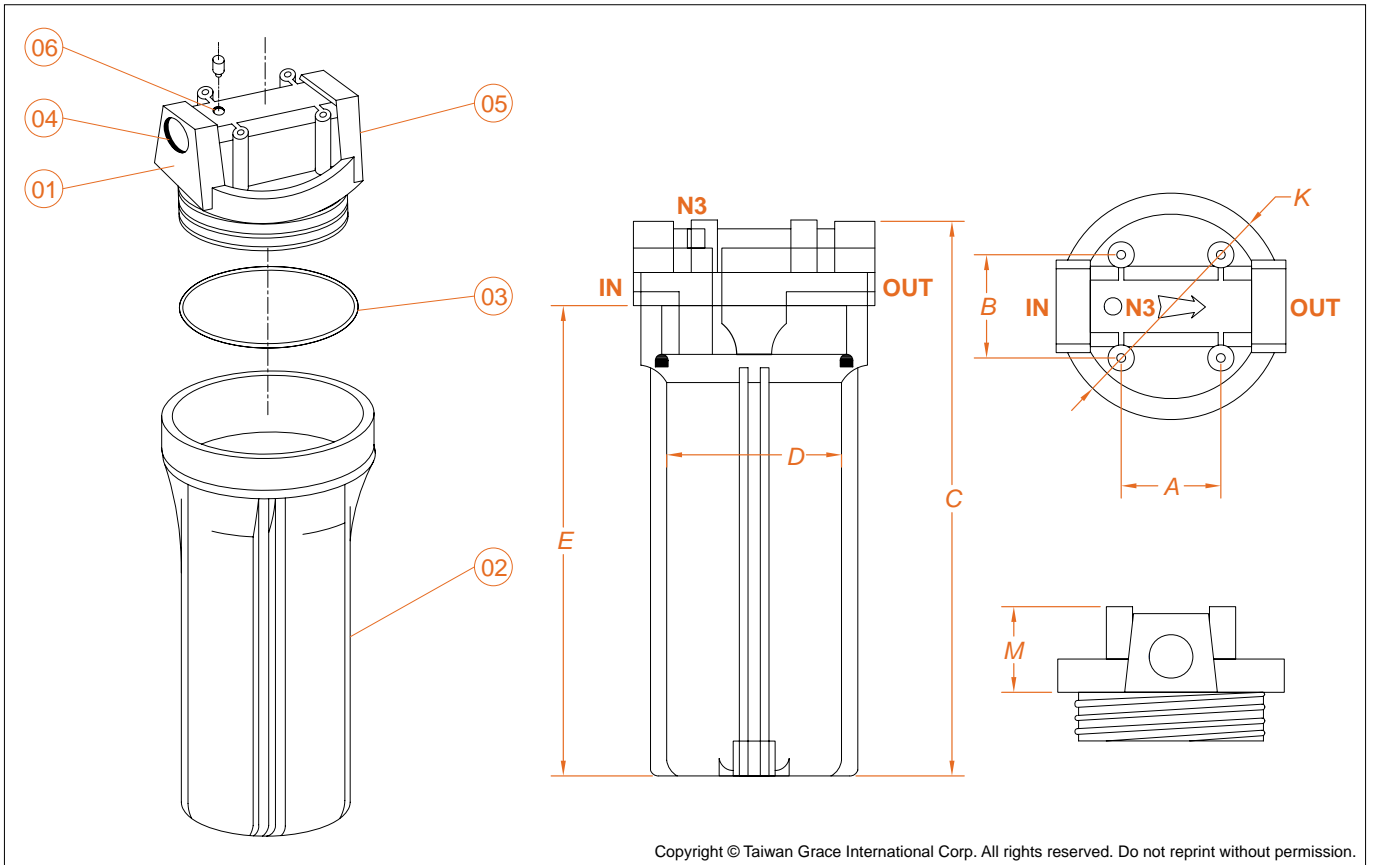
Operation Data

Maximum Operating Temperature : 60°C (140°F)
 Maximum Operating Pressure : 8.6 bar(125 psi)

Ordering Information

Type	Cartridge Length inch	Housing Color	Number of O-ring	Cap Color	Vent	Inlet/Outlet Porting (inch)	Inlet/Outlet Brass	O-ring Option	Series
PH Plastic Filter Housing	10 – 10" 20 – 20"	C -Clear B -Blue W -White	1 -Single O-ring	K -Black B -Blue W -White	V -Vent N -No Vent	N04 - 1/2"NPTF N06 - 3/4"NPTF	(blank) No Brass A -Port Brass	B -Buna-N	M Standard
PH Plastic Filter Housing	10 10"	C Clear	1 Single O-ring	K Black	V Vent	N06 3/4" NPT		B Buna-N	M Standard

Plastic Standard Filter Housings



Components

No.	Description	Qty
01	Cap	1
02	Filter Housing	1
03	O-ring	1
04	Port(Inlet)	1
05	Port(Outlet)	1
06	Vent	1

Dimensions

Model	A	B	C	ØD	E	ØK	M	Flow Rate	G. Weight
PH10 M	57	59	314	92	266	130	48	0 ~ 5 GPM / 0 ~ 1.1 m ³ /hr	1.38kg
PH20 M	57	59	571	92	523	130	48	0 ~ 10 GPM / 0 ~ 2.2 m ³ /hr	2.13kg

UNIT : mm

Customized housings are available on requests.

Actual flow rates will be determined on element selection and fluid viscosity.

Plastic Big Filter Housings

Grace Plastic Big Filter Housings are available in materials of clear and opaque sumps, providing versatile choices for residential, commercial and industrial applications. The extra large housings accept a wide variety of 115 mm diameter filter cartridges, allowing great flow capacity and providing economic alternatives of general water filtration. Housings are designed with single or double sealing o-rings to meet different requirements in various applications.



Applications

Household Water Filtration, Chemicals, Laboratory Facilities, Pre RO, Electronics, Food & Beverage, Cooling Water Filtration

Specifications

Housing Material	Reinforced Polypropylene (blue), Styrene Acrylonitrile (clear)
Cap Material	Acrylonitrile Butadiene Styrene (Single O-ring) Reinforced Polypropylene (Double O-rings)
O-ring	Buna-N

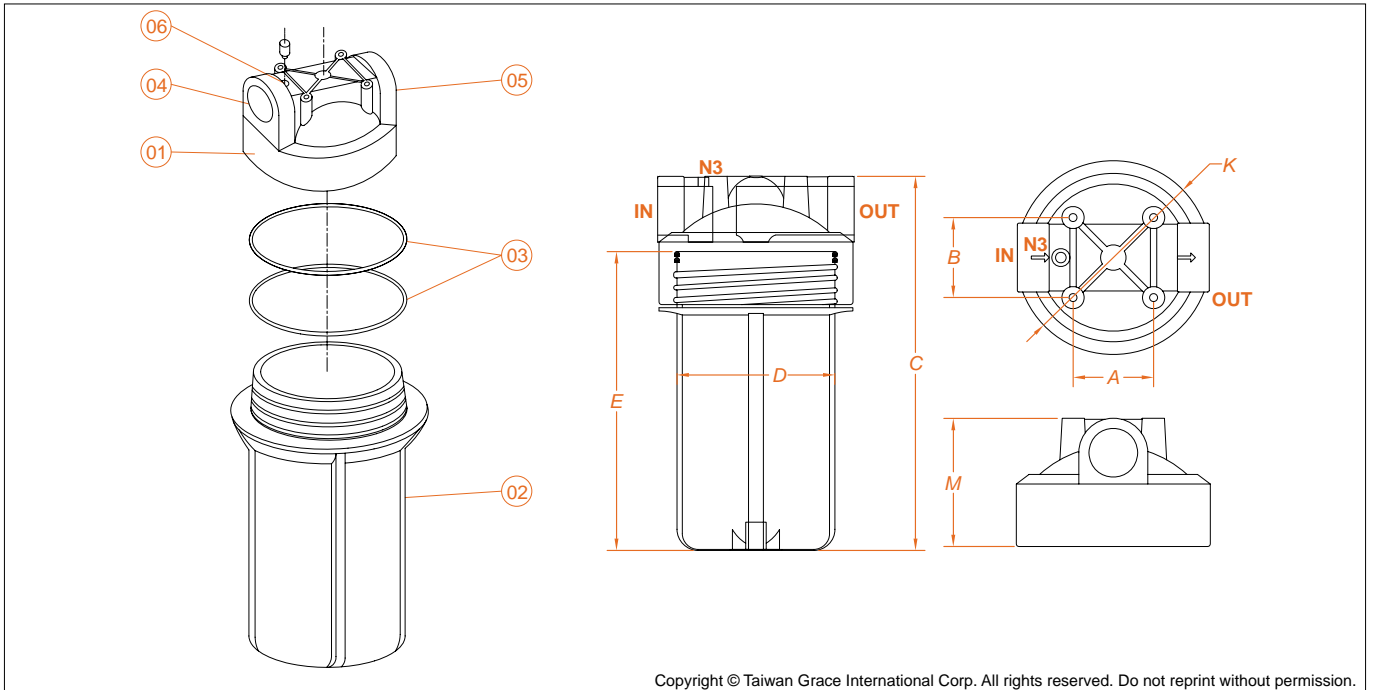
Operation Data

Maximum Operating Temperature : 60°C (140°F)
Maximum Operating Pressure : 7 bar(100 psi)

Ordering Information

Type	Cartridge Length inch	Housing Color	Number of O-rings	Cap Color	Vent	Inlet/Outlet Porting (inch)	Inlet/Outlet Brass	O-ring Option	Series
PH Plastic Filter Housing	10 – 10"	C -Clear	1 -Single O-ring	K -Black	V -Vent	N10 - 1" NPTF	(blank) No Brass A -Port Brass	B -Buna-N	B Big
	20 – 20"	B -Blue	2 -Double O-rings		N -No Vent	B10 - 1" BSPF N15 - 1.5"NPTF B15 - 1.5"BSPF			
PH Plastic Filter Housing	10 10"	C Clear	1 Single O-ring	K Black	V Vent	N06 3/4" NPT		B Buna-N	B Big

Plastic Big Filter Housings



Copyright © Taiwan Grace International Corp. All rights reserved. Do not reprint without permission.

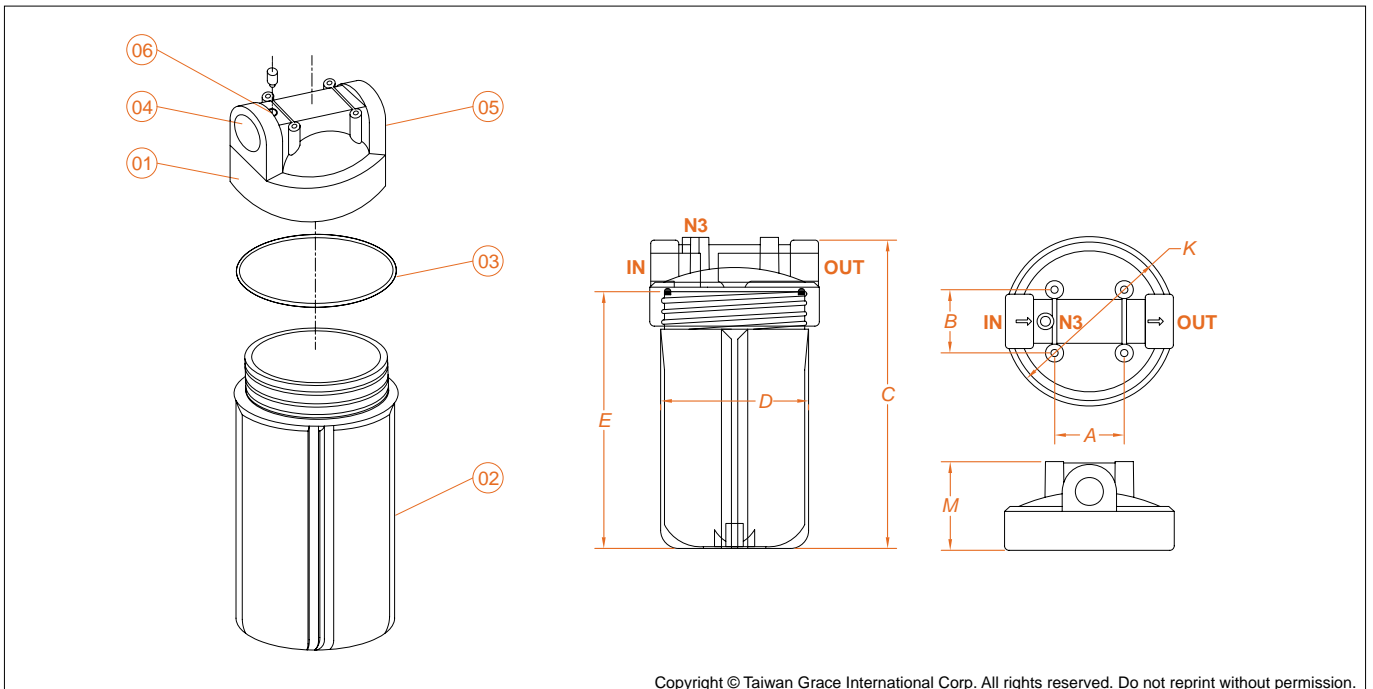
Components

No.	Description	Qty
01	Cap	1
02	Filter Housing	1
03	O-ring	2
04	Port(Inlet)	1
05	Port(Outlet)	1
06	Vent	1

Dimensions

Model	A	B	C	ØD	E	ØK	M	Flow Rate	G. Weight
PH10 B	74	74	353	148	286	181	121	0 ~ 20 GPM / 0 ~ 4.5 m ³ /hr	2.75kg
PH20 B	74	74	604	148	540	181	121	0 ~ 40 GPM / 0 ~ 9 m ³ /hr	4.00kg

UNIT : mm
 Customized housings are available on requests.
 Actual flow rates will be determined on element selection and fluid viscosity.



Copyright © Taiwan Grace International Corp. All rights reserved. Do not reprint without permission.

Components

No.	Description	Qty
01	Cap	1
02	Filter Housing	1
03	O-ring	1
04	Port(Inlet)	1
05	Port(Outlet)	1
06	Vent	1

Dimensions

Model	A	B	C	ØD	E	ØK	M	Flow Rate	G. Weight
PH10 B	77	70	341	163	284	187	98	0 ~ 20 GPM / 0 ~ 4.5 m ³ /hr	2.70kg
PH20 B	77	70	597	163	540	187	98	0 ~ 40 GPM / 0 ~ 9 m ³ /hr	3.70kg

UNIT : mm
 Customized housings are available on requests.
 Actual flow rates will be determined on element selection and fluid viscosity.