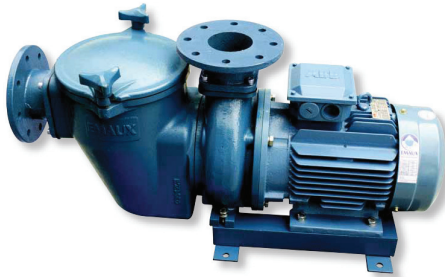




SE SERIES PUMP

FEATURES

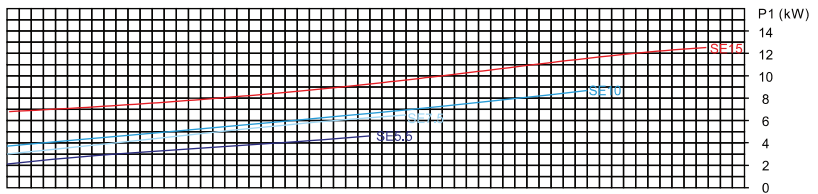
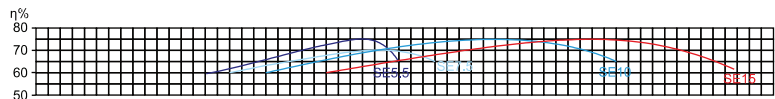
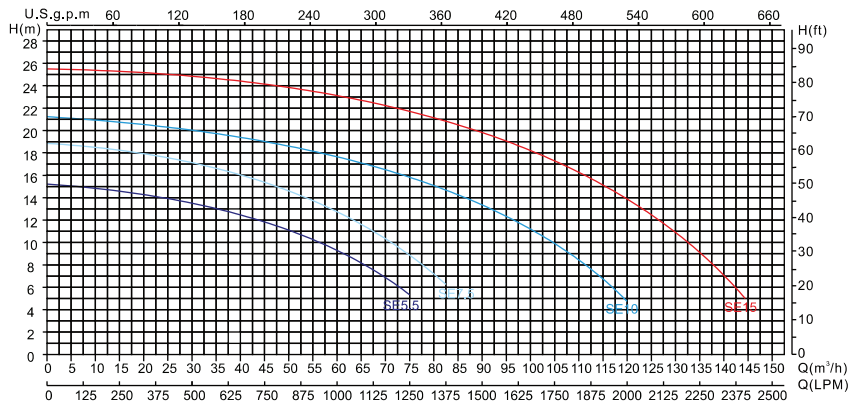
- High efficiency, low maintenance and with unsurpassed performance
- Built to cater heavy duty commercial use (e.g. Large-size public swimming pools, commercial spa pools, water features and so on)
- Using renowned ABB motor
- Easy to clean large strainer basket
- Energy efficient by using YY & operation start-up method
- AISI-304 Stainless Steel Impeller (optional)



AISI-304 Stainless Steel Impeller

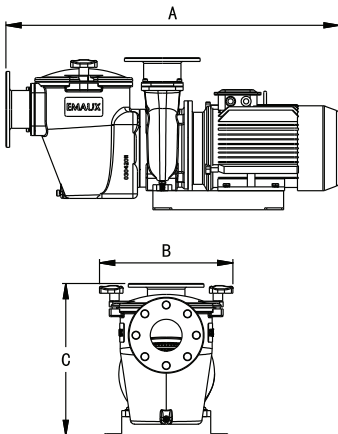
MOTOR

Asynchronous, Two poles
Class F insulation
IP55 Waterproof Standard



Flow curve info based on 380V/50Hz motor

TECHNICAL CHARACTERISTICS



Code	Model No	Output power	Horsepower	Input power	Connection Size
88025616	SE5.5	4.0kW	5.5hp	4.7kW	3 inch 90mm
88025611	SE7.5	5.5kW	7.5hp	6.4kW	3 inch 90mm
88025612	SE10	7.5kW	10hp	8.6kW	4 inch 110mm
88025613	SE15	11.0kW	15hp	12.4kW	4 inch 110mm

Model No	A (mm)	B (mm)	C (mm)	Weight (kg)	Voltage (v)
SE5.5	840	335	415	95	380-420
SE7.5	860	335	415	100	380-420
SE10	915	335	445	118	380-420
SE15	945	335	445	130	380-420

